

Hybrid QoS Based Routing for IEEE 802.16j Mesh Infrastructure

Hajer Bargaoui, Nader Mbarek, Olivier Togni

LE2I Laboratory, University of Burgundy
Dijon, France

e-mails : {Hajer.Bargaoui, Nader.Mbarek,
Olivier.Togni}@u-bourgogne.fr

Mounir Frikha

MEDIATRON Laboratory, High School of Communication
of Tunis (SUP'COM)

Tunis, Tunisia

e-mail : m.frikha@supcom.rnu.tn

Abstract—With the growth of wireless networks, Wireless Mesh Network (WMN) has appeared as an emerging key solution for broadband Internet access with a low-cost deployment. Moreover, providing QoS guarantees for real-time and streaming applications such as VoIP (Voice over IP) and VoD (Video on Demand) is a challenging issue in such environment. In this paper, we propose a hybrid wireless mesh architecture to provide mesh clients with Internet access while guaranteeing QoS. It is formed by an IEEE 802.16j based infrastructure and several IEEE 802.11s based client domains. A clustering algorithm is developed to enhance scalability issues within the mesh infrastructure and a novel protocol called Hybrid QoS Mesh Routing (HQMR) is specified in order to provide QoS requirements. The HQMR protocol is deployed within the IEEE 802.16j infrastructure and it is composed of two routing sub-protocols: a reactive routing protocol for intra-infrastructure communications and a proactive QoS-based multi-tree routing protocol for communications with external networks. The proposed architecture provides real-time and streaming applications with QoS guarantee in mesh environment thanks to a clustering algorithm and a QoS-based routing protocol.

Keywords—Wireless Mesh Network; QoS routing; IEEE 802.16j; HQMR.

I. INTRODUCTION

Recently, wireless mesh networks have received increased attention from researchers and industrial environments. They have emerged as a key wireless technology for numerous applications such as broadband home networking, community and neighborhood networks, enterprise networking, etc., [1][2]. Besides, they are a promising solution to provide last-mile connectivity to the Internet for fixed and/or mobile users in zones where wired networks deployment is difficult, thanks to its various qualities such as self-organizing and self-configuring abilities.

One major challenge for wireless mesh networks is to provide QoS support. Since deployments of WMNs continue to grow, providing Quality of Service for real-time and streaming applications, such as VoIP and VoD, is an important task. Moreover, establishing paths with the highest performance is a challenging issue for routing protocols on wireless mesh networks in order to satisfy applications' requirements.

However, the different research works proposing routing solutions on wireless mesh networks rely simply on adapting protocols originally designed for mobile ad hoc networks and adding a little support for QoS. In this paper, we propose a

hybrid QoS based routing protocol, called Hybrid QoS Mesh Routing (HQMR) that exploits more efficiently the particular topology of a wireless mesh network, based on a hybrid wireless mesh architecture. The proposed wireless mesh architecture is formed by an IEEE 802.16j based infrastructure and different IEEE 802.11s based client domains. Furthermore, in order to solve scalability issues and reduce efficiently the network's load, a clustering algorithm is proposed for the IEEE 802.16j infrastructure of our global wireless mesh architecture. HQMR is then deployed on the IEEE 802.16j infrastructure to ensure routing functionalities. It is a hybrid protocol adopting a reactive routing sub-protocol for intra-infrastructure communications and a proactive multipath tree-based routing sub-protocol for inter-infrastructure communications, where the mesh gateway is considered as a root.

The remainder of this paper is organized as follows. In Section II, we present some related works. Section III introduces the architecture of our framework. Then, we define in Section IV, the proposed HQMR routing protocol. Section V defines two usage scenarios of HQMR to illustrate its processing. Finally, Section VI concludes the paper.

II. RELATED WORK

A. IEEE 802.16j Standard

IEEE 802.16j task group was officially established in March 2006 and their work was published in 2009. The IEEE 802.16j standard [3], is an amendment to the IEEE 802.16e [4] standard in order to introduce Mobile Multi-hop Relay (MMR) specifications where traffic between a Multi-Relay Base Station (MR-BS) and a Subscriber Station (SS) can be relayed through nodes named Relay Stations (RS). The number of hops between MR-BS and SS is not defined but it must only contain RS nodes. In fact, IEEE 802.16j has defined two different relay modes: transparent mode and non-transparent mode. In transparent mode, the RS is used to improve the network capacity. It does not forward any signaling frame. It relays only data traffic. The non-transparent mode is usually used to extend the network coverage. The RS nodes in this mode are able to generate their own signaling frame or forward those provided by the MR-BS depending on the scheduling mechanism.

B. QoS Routing

QoS provisioning is an important issue for wireless mesh networks since they are typically used for providing broadband wireless Internet access to a large number of users

and networks. To meet applications' QoS requirements, different QoS routing protocols were proposed for wireless mesh networks.

Wireless Mesh Routing (WMR) [5] is a QoS solution for wireless mesh LAN networks. It provides QoS guarantees in terms of minimum bandwidth and maximum end-to-end delay. These two parameters are verified jointly with the route discovery process. The value of the node's available bandwidth, is estimated thanks to the bandwidth already in use by the considered node and by its neighboring nodes. Then, the end-to-end delay is estimated by using the round trip delay method [6]. Kon et al. [7] improve the WMR protocol by proposing a novel end-to-end packet delay estimation mechanism with a stability-aware routing policy. The delay estimation is based on packets named DUMMY-RREP, which have the same size, priority and data rate as real data traffic.

Some other works include the QoS verification in the route discovery phase. For example, QoS AODV (QAODV) [8] integrates a new metric for IEEE 802.11 mesh networks, composed of bandwidth, delay, hop count and load ratio. In the same way, Rate-Aware AODV (R-AODV) [9] uses minimum network layer transmission time as a performance metric in multi-rate WiFi mesh networks. Mesh Admission control and qos Routing with Interference Awareness (MARIA) [10] is another QoS aware routing protocol for wireless mesh networks. It is a reactive protocol incorporating an interference model in the route discovery process. This protocol uses a conflict graph model to characterize both inter and intra-flow interference.

Thus, there are few research works for QoS based routing for IEEE 802.16j wireless networks. Hence, through our proposed protocol HQMR, we intend to provide QoS provisioning routing functionalities within an IEEE 802.16j architecture.

C. Clustering

Clustering concept was introduced to organize large wireless multi-hop networks into groups named clusters. Every cluster is coordinated by a cluster-head to achieve basic network performances, even with mobility and limited energy resources. The different clustering algorithms differ mainly in the method used for the election of the cluster-heads: Lowest-ID heuristic [11], Highest-degree heuristic [12] and node-Weight heuristic [13].

Combining clustering algorithms with routing protocols offers better performances within the network layer, by reducing the amount of control messages propagated inside the network since the exchange is limited within a cluster; and by minimizing the size of routing tables at each node since it stores only the information of its cluster.

Zone Routing Protocol (ZRP) [14] is a cluster-based routing protocol for ad hoc networks that uses different routing sub-protocols for inter and intra-clusters communications. Within a cluster zone, a proactive component is used to maintain up-to-date routing tables. Routes outside the routing zone are explored with a reactive component combined with a border-casting concept. Singh et al. [15] propose a hierarchical cluster based routing protocol for wireless mesh networks in which the mesh gateway is the

highest level node. Similarly, the research work in [16] defines a multi-level clustering approach with a reactive routing protocol for wireless mesh networks, in order to reduce the load on the mesh gateway.

For its benefits, we adopt this concept of cluster based routing for our HQMR protocol to solve scalability issues and to offer better routing performances within the IEEE 802.16j infrastructure.

III. PROPOSED GLOBAL HYBRID WIRELESS MESH ARCHITECTURE

For our framework, we adopt a hybrid wireless mesh network architecture, combining two different technologies. It is formed by a non-transparent IEEE 802.16j-based infrastructure and IEEE 802.11s-based client domains (Fig. 1). A hybrid QoS based routing protocol (HQMR) is also proposed within the 802.16j-based wireless mesh infrastructure.

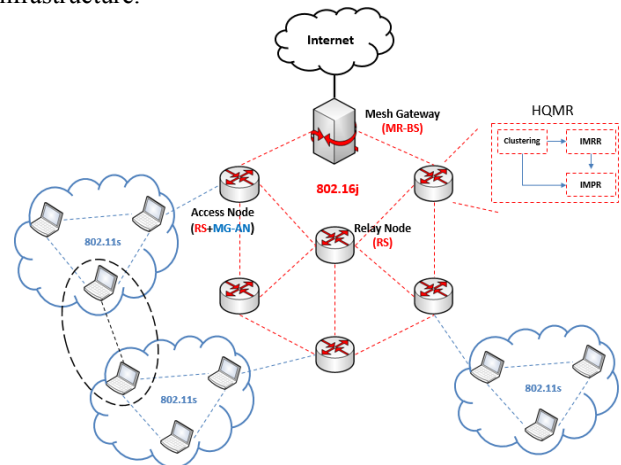


Figure 1. Global hybrid wireless mesh architecture

A. IEEE 802.16j-based mesh infrastructure domain

For the wireless mesh infrastructure, we use the non-transparent relay mode of the IEEE 802.16j technology to ensure a better coverage. Then, in order to organize the functionalities of each node, we define three types of nodes within the mesh infrastructure: the Mesh Gateway (MG), the Relay Nodes (RN) and the Access Nodes (AN). The MG is the intermediate node between the Internet cloud and the wireless mesh infrastructure. It helps forwarding clients requests to the Internet network. The RNs are the nodes located in the core of the mesh infrastructure to ensure forwarding traffic flows from a node to another inside it. Last, we consider the nodes located in the border of the infrastructure, as Access Nodes (AN). They provide interconnection between the mesh infrastructure and the client domains. Thus, compared to the topology of an IEEE 802.16j network, our MG and RN nodes have, respectively, the same functionalities as the MR-BS node and the RS nodes. In fact, the AN nodes may be considered as bridge nodes playing both the role of a relay node in the IEEE 802.16j infrastructure and the role of a gateway in the IEEE 802.11s area. Thus, they are

equipped with two radio interfaces: one is operating with the Wimax technology [4] and another with WiFi technology [17].

At each relay node of the wireless mesh infrastructure (including the ANs and the MG), the proposed routing protocol (HQMR) must be implemented with our clustering algorithm to reduce mainly the size of the routing tables. The different blocks of HQMR will be described in Section IV.

B. IEEE 802.11s based mesh client domain

The client domains are formed by a set of 802.11s [18] MP (Mesh Point) which are interconnected to each other forming the mesh topology and by a gateway node that we called Mesh-Gateway Access Node (MG-AN). The MG-ANs have the functionality of the 802.11s MPP (Mesh Portal Point) implemented in the access node (AN) of our mesh infrastructure. This way, to connect to the Internet cloud, the mesh clients forward, first, their traffic to their own gateway (i.e., MG-AN), for accessing the mesh infrastructure. Then, the MG-AN forwards directly the received traffic from its mesh clients to its own gateway (i.e., MG).

IV. HYBRID QoS MESH ROUTING

HQMR, the proposed protocol, is used to ensure routing functionalities within the IEEE 802.16j infrastructure of our global wireless mesh architecture. It is a hybrid QoS-based routing protocol composed of two different routing blocks. The first routing sub-protocol Intra-Mesh infrastructure Reactive Routing (IMRR) is designed to forward communications within the infrastructure in a reactive manner, while the second routing block Inter-Mesh infrastructure Proactive Routing (IMPR) is deployed to forward communications to the external networks, particularly to the Internet network. The second routing sub-protocol is a tree-based multipath routing protocol, with the Mesh Gateway as a root of the routing tree.

Moreover, in order to improve the performance of our routing protocol, we adopt the concept of clustering to divide the topology of the infrastructure into a set of groups.

In this section, we present the algorithm adopted for the clusters elaboration within the wireless mesh infrastructure and we introduce the two routing sub-protocols of HQMR. Before that, we define the mechanism used to provide the needed information about each node's neighbors and we specify the different QoS parameters and their estimation method to guaranty the QoS based routing characteristic of our proposed HQMR protocol.

A. Neighborhood Maintenance

Neighborhood information is very important for our protocol in order to provide the local topology (node's different neighbors), the necessary information for our clustering algorithm and the available QoS toward each neighbor. To maintain this information, every node in the network is required to send out periodically a Hello message (Table I), announcing its existence and its cluster information such as its state in the cluster, its calculated weight parameter used for cluster-head election, its CH's IP address (ID-CH) and its used bandwidth parameter. By receiving the Hello

message from the different neighbors, each node updates its Neighbor Table (Table II), which is used to store for each neighbor its IP address (ID), all the needed information for clusters formation (Weight, State, ID-CH) and the available QoS parameters.

TABLE I. HELLO MESSAGE

ID	Weight	State	ID-CH	Used Bandwidth
----	--------	-------	-------	----------------

TABLE II. NEIGHBOR TABLE (NT)

ID	Weight	State	ID-CH	QoS Metric
----	--------	-------	-------	------------

B. QoS Routing Metrics

The purpose of our routing protocol is to find paths, which can satisfy the QoS requirements of real-time flows. The set of QoS requirements includes the bandwidth, the delay and the jitter parameters.

1) Available Bandwidth metric

To estimate the available bandwidth, each node considers the used bandwidth by its flows and the consumption of its neighbors announced in the Hello messages (1).

$$B(v) = B - \sum_{v' \in N(v)} B_{\text{used}}(v') \quad (1)$$

where $B(v)$ is the estimated available bandwidth by a node v , B is the total Bandwidth, B_{used} is the bandwidth used by a node and $N(v)$ in the neighborhood of the node v .

Then, the bandwidth parameter of the entire path is determined as the minimum bandwidth estimated at each node toward the destination.

2) Delay Metric

This metric estimation is based on measuring the round trip delay time (RTT) [6] of the Hello messages, which represents the time between initiating a Hello message and receiving a response. The delay metric of a path is the sum of its links delay metric.

3) Jitter Metric

The jitter metric defines the delay metric variation. It is estimated by calculating the mean of the differences between the RTT values for a specific period. Besides, the Jitter of a path is calculated by summing the Jitter of each link.

C. Clusters formation algorithm

Our clustering algorithm is a variant of the LID-based clustering algorithm [11] combined with the use of the weight concept developed on the Weighted Clustering Algorithm (WCA) [13] for the election of cluster-heads. Thus, a cluster is formed by the node with the lowest weight and all its neighbors. The same procedure is repeated among the remaining nodes, until each node is assigned to a cluster. Inter-clusters connectivity is maintained by defining some Gateway-nodes (sub-section 3), named Cluster Gateway (C-Gw) and Distributed Gateway (D-Gw). Moreover, in our adapted algorithm, we have opted for one-hop clusters to reduce the load of control messages within a cluster and to

ensure a line of sight between the different cluster-heads and gateway nodes, which is an important characteristic for the deployment of our second routing sub-protocol IMPR (section E). An example of a clustered wireless mesh infrastructure is illustrated in Fig. 2.

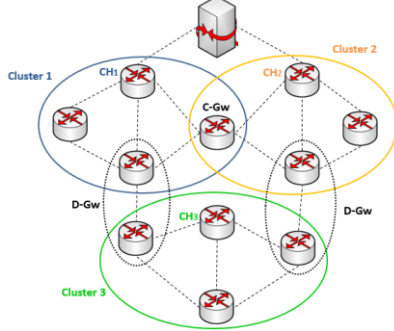


Figure 2. Clustered architecture of the wireless mesh infrastructure

Our clustering algorithm is composed of three main functions, which are presented in the following sub-sections: weight calculation, cluster-head election and clusters elaboration process.

1) Weight Calculation

In our algorithm, the weight assigned to each node is based on the WCA algorithm [13]. The latter takes into account the degree (neighbors' number), the transmission power, the mobility and the battery power of each node. It optimizes the degree of each cluster-head by choosing an optimal number M of nodes per cluster (M is a pre-defined threshold). This restriction aims that the cluster-head would be able to support ideally the nodes within its cluster.

However, given the stability of the nodes within our wireless mesh infrastructure, we are only interested in the first two parameters used to calculate the weight of WCA to find the optimal number of nodes within the transmission range and to estimate the transmission power toward the neighbors of a node. In addition, since most of the traffic is oriented to the Mesh Gateway, a third parameter is used in our weight calculation to take into account the power transmission of the node toward the Mesh Gateway. By this way, the cluster-head will be elected among the nearest nodes to the Mesh Gateway. Thus, the weight is calculated according to (2)-(6):

$$Wv = a \cdot \Delta v + b \cdot Dv + c \cdot DPv \quad (2)$$

where a , b and c are the weighing factors so that $a+b+c=1$ and Wv is the weight of a node v .

$$dv = |N(v)| = \sum_{v' \in V, v' \neq v} (dist(v, v') \times tx_{range}) \quad (3)$$

where V is the neighborhood of a node v .

$$\Delta v = |dv - M| \quad (4)$$

$$Dv = \sum_{v' \in N(v)} dist(v, v') \quad (5)$$

$$DPv = dist(v, MG) \quad (6)$$

Equation (4) represents the degree-difference for a node v to compare its number of neighbors (3) to the optimal number of nodes that a CH may coordinate efficiently. The transmission power toward the neighbors is estimated in (5) by computing the sum of the distances with all its neighbors. Specially, the third parameter namely the transmission power toward the Mesh Gateway is calculated in (6).

2) Cluster-head Election

Initially, all the nodes are in the initial state that is the "Undecided" state and with a weight equal to zero. Thanks to the periodic exchange of Hello messages, the Neighbor Table (Table II.) will be updated with the last calculated value of weight (W) for each neighbor. Each node waits for a period T_e before starting the selection of the cluster-heads, so that all the nodes have updated their NT. After this period, the node with the lowest W among its neighbors broadcasts a Hello message, as illustrated in Fig. 3.

```

1: If  $W_i = \min(NT[\text{weight}])$  then
2:    $S_i = CH$ 
3:    $ID-CH_i = ID_i$ 
4:   Broadcasts Hello ( $ID_i, W_i, S_i, ID-CH_i, B_{used}$ )
5: End If
    
```

Figure 3. Cluster-head election algorithm

3) Clusters elaboration process

The division of the network on a set of clusters is based on the exchange of Hello Messages between each node and its neighbors. Fig. 4 illustrates the algorithm of the clusters elaboration.

```

On receiving a Hello message:
1: If (Hello [State] = CH) then {
2:   If  $ID-CH_i = \text{null}$  then {
3:      $S_i = CM$ 
4:      $ID-CH_i = \text{Hello}[ID-CH]$ 
5:     Update (NT)
6:     Broadcast Hello ( $ID_i, W_i, S_i, ID-CH_i, B_{used}$ )
7:   } Else {
8:     If ( $\text{Hello}[ID] < ID-CH_i$ ) then
9:        $G = ID-CH_i$ 
10:       $ID-CH_i = \text{Hello}[ID]$ 
11:    } End If
12:    Unicast [ $ID-CH_i, GW-D (ID_i, W_i, C-Gw, ID-CH_i, G, \text{null})$ ]
13:  } End If
14: Else if (Hello [State] = CM) then {
15:   If ( $S_i = CM$ ) then {
16:    If ( $ID-CH_i = \text{Hello}[ID-CH]$ ) then
17:      Update (NT)
18:    } End If
19:    Unicast [ $ID-CH_i, GW-D (ID_i, W_i, D-Gw, ID-CH_i, \text{Hello}[ID-CH], \text{Hello}[ID])$ ]
20:  }
21: } Else
22:   Update (NT)
23: } End If
24: Else {
25:   If ( $ID-CH_i = \text{Hello}[ID-CH]$ ) then Update (NT)
26: } Else {
27:   Update (NT)
28:   Update (NCHT)
29: }
30: } End If
31: End If
    
```

Figure 4. Clusters elaboration algorithm

According to our algorithm, we distinguish five possible states of a node within a cluster. Besides, it is important to

notice that the clustering algorithm is executed on each node of the infrastructure except the Mesh Gateway. The latter has its own state MG as Mesh Gateway. For the rest of nodes, we have the following states:

- **Undecided:** it is the initial state indicating that the node does not yet belong to any cluster.
- **Cluster Member (CM):** it is a node, which belongs already to a cluster.
- **Cluster Head (CH):** it is the node with the lowest weight and it is the cluster’s manager.
- **Cluster Gateway (C-Gw):** it is a node in direct vision with two different cluster heads at the same time. It acts as a bridge between the two clusters.
- **Distributed Gateway (D-Gw):** it is a CM that has a neighbor belonging to another cluster. D-Gw ensures the communications between two disjoint clusters.

These different states with the different necessary transition conditions are described in a FSM diagram (Fig. 5).

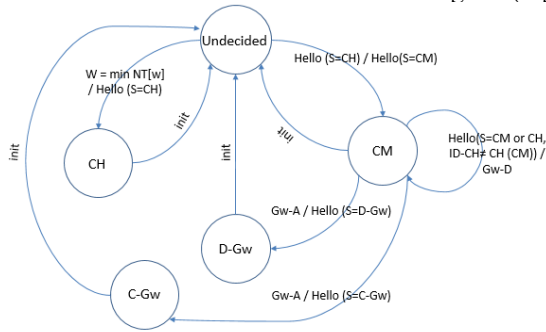


Figure 5. FSM of a node participating in the clustering algorithm

A node becomes a CM node when it receives a Hello message for the first time from a CH node. This node may change its state to a gateway node to ensure interconnection between two clusters. It may become a C-Gw when receiving a Hello message from another cluster-head. It sends a GW-D (Declare) message (Table V.) to its cluster-head without changing state. By receiving this message, the cluster-head consults its Neighbor CH Table (NCHT) (Table IV) in which it keeps the neighbor cluster-heads and its corresponding gateways and responds with a GW-A (Accept) or GW-R (Refuse) message. When a node is accepted as C-Gw, it changes its state to a C-Gw (it is no more a CM) and updates its Gateway Table (Table III), in which it keeps its type as gateway and the two interconnected cluster-heads.

TABLE III. GATEWAY TABLE (GWT)

Type-Gw	ID-CH1	ID-CH2	ID D-Gw
---------	--------	--------	---------

TABLE IV. NEIGHBOR CLUSTER-HEAD TABLE (NCHT)

Neighbor ID-CH	Gw-ID	Type-Gw
----------------	-------	---------

TABLE V. GW-D MESSAGE

ID	Weight	Type-Gw	ID-CH	Neighbor ID-CH
----	--------	---------	-------	----------------

A CM node may also become a D-Gw when receiving a Hello message from a CM belonging to another cluster, as illustrated in the MSC diagram in Fig. 6.

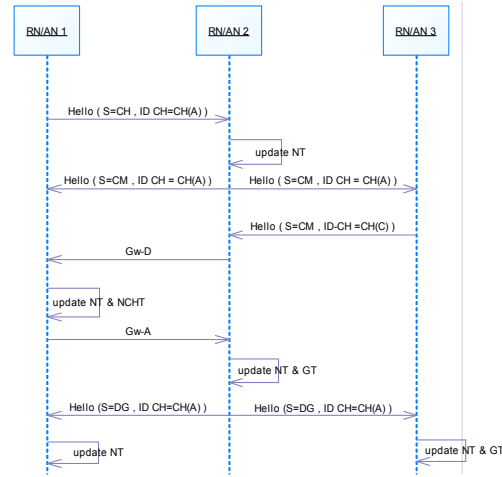


Figure 6. MSC of D-Gw selection scenario

D. Intra-infrastructure Routing (IMRR)

Intra-Mesh Infrastructure Reactive Routing (IMRR) is the reactive routing sub-protocol of our proposed HQMR protocol. It is used to find routes in order to forward information between two nodes located within the infrastructure. It ensures QoS based routing for nodes belonging to a same cluster as well for those located in different clusters. Furthermore, the proposed IMRR sub-protocol is an adaptation of AODV routing protocol [19] to take into account the clustering approach and the QoS verification in route discovery process.

1) IMRR operation

Fig. 7 illustrates the algorithm of IMRR operation. A node S starts directly to forward data if a valid route to D exists in its routing table or if D is one of its neighbors, with verified QoS. Otherwise, S launches the route discovery process.

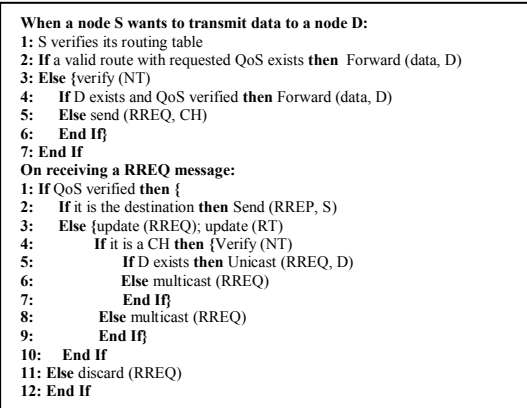


Figure 7. IMRR operation algorithm

The received RREQ message is either forwarded directly to the destination or forwarded to the multicast group formed by the different CHs, C-Gws, D-Gws and the MG. The use of

the multicast group limits the broadcast of the RREQ messages, which helps reducing the load of the network.

We distinguish two main cases: the intra-cluster routing and the inter-clusters routing. For the first case, a node communicates with another within its cluster either in direct manner or through its cluster-head. An example of the second case is illustrated by a MSC (Message Sequence Chart) [20] in Fig. 8.

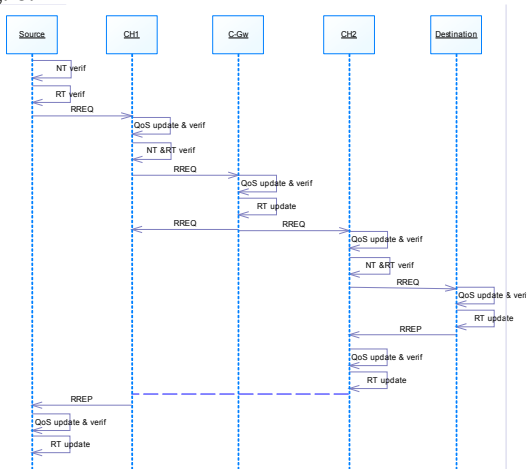


Figure 8. MSC for inter-clusters IMRR routing

Two nodes from different clusters may communicate with each other only through a route formed by CHs and/or Gws and/or the Mesh Gateway.

2) Route Discovery Process

Like AODV protocol, IMRR uses RREQ message for route discovery (Table VI). However, the RREQ message used by our IMRR routing protocol introduces specific QoS fields to enable QoS based routing. Each intermediate node proceeds to a QoS verification before forwarding the request (7).

$(B_{off} \geq B_{req} \text{ or } B = \text{null}) \text{ and } (D_{off} \geq D_{req} \text{ or } D = \text{null}) \text{ and } (J_{off} \geq J_{req} \text{ or } J = \text{null})$ (7) where B is the bandwidth, D is the delay and J is the Jitter.

TABLE VI. RREQ MESSAGE

Src IP address	Dest IP address	Broadcast ID	Path	QoS Metric requested	QoS Metric offered	ID msg
----------------	-----------------	--------------	------	----------------------	--------------------	--------

In Fig. 9, we illustrate the processing of a RREQ message at each node. Unlike AODV protocol, only the destination node is able to respond to a RREQ message, so that it would have the entire path's estimated QoS to compare it properly to the requested one. Moreover, the duplicate RREQ messages are not rejected. Instead, we send as much as possible of RREQ messages to the destination to guarantee the discovery of the best path. In order to avoid an infinite loop of a message, each node verifies first if its address already exists in the Path field or not. Then, we introduce a new parameter called "ID msg" to distinguish the duplicate messages at a node. This parameter is updated at each intermediate node for each RREQ message received (duplicated or not). Then, the reverse route is created within the routing table (Table VII), by taking

into consideration this parameter, so that it would be used later for the RREP message forward.

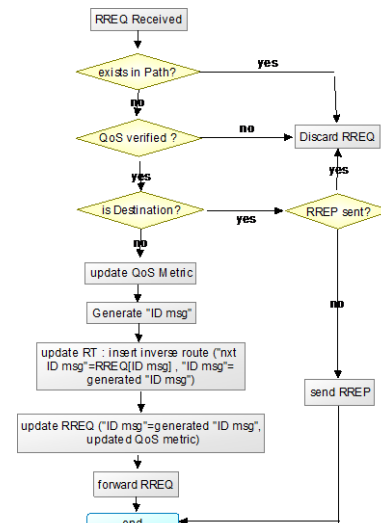


Figure 9. RREQ processing

TABLE VII. IMRR ROUTING TABLE

Dest IP address	Next Hop	Lifetime	QoS Metric offered	ID msg	Nxt ID msg
-----------------	----------	----------	--------------------	--------	------------

3) Route Replay Process

In order to establish a route toward the source node, the destination responds with a RREP message (Table VIII) to the first RREQ received verifying the requested QoS parameters and rejects the following RREQ messages. The processing of a RREP message at each intermediate node is illustrated by a flowchart in Fig. 10.

A mesh node determines the next hop thanks to the "ID msg" parameter. It updates then the routing table with the direct route and the "ID msg" with the "Nxt ID msg" of the routing table before forwarding the RREP message.

TABLE VIII. RREP MESSAGE

Src IP address	Dest IP address	Lifetime	QoS Metric requested	QoS Metric offered	ID msg
----------------	-----------------	----------	----------------------	--------------------	--------

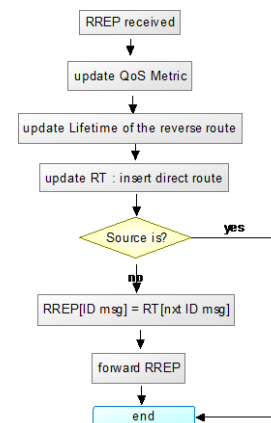


Figure 10. RREP processing

E. Inter-infrastructure Routing (IMPR)

Inter-infrastructure Mesh Proactive Routing (IMPR) is the second routing sub-protocol of HQMR, designed to ensure communications toward external networks, especially Internet network. Since most of the traffic goes through the Mesh Gateway to provide Internet services, we opted for a proactive tree based routing protocol, having the Mesh Gateway as a root and the different CHs and C-Gw and/or D-Gw as children. It is important to notice that the different cluster members would not participate in the trees construction process.

In addition, to provide QoS guarantees for real-time flows, IMPR deploys a multi-path routing concept to define three different routes, partially node-disjoint, between each child and the root. These routes would be used to construct three partially disjoint routing trees within the IEEE 802.16j wireless mesh infrastructure, in such a way that each tree is used to forward a specific type of traffic. To this end, we define for our protocol three service classes, namely interactive real-time applications class, Streaming applications class and Best Effort class. The first class is more sensitive to delay and jitter variations, the second one is more sensitive to jitter variation and the last class is more exigent in terms of loss ratio. In other words, IMPR allows the construction of three partially disjoint trees with a common root: Real Time, Streaming and Best Effort Trees.

1) Root Announcement process

The root (i.e., MG) broadcasts a RANN (Route Announcement) message to all its neighbors to announce its presence. This message is considered only by the CHs and the Gws. It is rejected by all the CM nodes. On receiving a RANN message (Table IX.), each intermediate node stores the Path parameter in its route cache and updates it next by adding its address. It updates also the QoS Metric and proceeds to the forward of the updated RANN message to its multicast group formed by the CHs, the Gws and the MG. In order to keep as many routes as possible, duplicated RANN messages are not rejected. Instead, to avoid an infinite loop of a message, each node verifies first if its address already exists in the Path field or not. In fact, each node keeps the entire path received through the RANN message in its route cache in order to be able to verify later the disjunction of two paths.

TABLE IX. RANN MESSAGE

Root IP address	Path	QoS Metric
-----------------	------	------------

2) Routing trees construction

Each node waits for a certain time T_s before starting the routing trees construction process, in order to store the maximum of paths. Firstly, using the routes selection algorithm (Fig. 11), each node selects a route for the Real Time Tree. This route is validated as one of the tree branches by an exchange of PREQ and PREP messages with the root. Once the PREP received from the root, each node removes the chosen path from its route cache and starts the construction process of the second routing tree in the same manner. Then, the mechanism is repeated for the third routing tree. In fact, the exchange of PREQ/PREP messages performed for routes

validation is used to ensure that each intermediate node of a path is using the same path toward the root, so that each node has no more than a single branch toward the root of a tree.

3) Routes Selection Algorithm

This algorithm is described in Fig. 11. The idea is to select at each node a potential path for each routing tree, satisfying the requirements of the defined service classes. For the first path corresponding to the Real Time Tree, we choose the best in terms of delay and jitter with satisfying bandwidth metric. The second one should be partially disjoint from the first one to reduce congestion issues, with good values of the jitter QoS parameter. Lastly, from the remaining paths, we select the best in terms of disjunction over the other paths.

Some nodes may not be able to select three different paths. Thus, for the case where a node has only selected two paths, the first one would be used to forward the highest priority traffic, while the second one would be shared between the two other service classes. If only one path is present at a node, we adopt the default QoS mechanism of IEEE 802.16j to share it between the three service classes.

```

P ← set of stored paths ; Disj ← number of common nodes between paths
HC: Hop Count ; w1 : QoS parameters' weight
1: If treei = 1 then {
2: A = {Pi}(D<Dmax and J<Jmax)
3: If A ≠ ∅ then P1 = minHC {maxBw A}
4: Else {
5: B = {Pi}(D<Dmax)
6: If B ≠ ∅ then {Calculate L = w1*rankdescBw + w2*rankascJ for each path in B; P1 = minL B}
7: Else {Calculate L = w1*rankdescBw + w2*rankascD + w3*rankascJ for each Path in P; P1 = minL P}
8: End If}
9: End If}
10: End If
11: If treei = 2 then {
12: P = P \ {P1} ; A = {Pi}(D<Jmax)
13: If A ≠ ∅ then {
14: Calculate L = a*rankdesc Bw + b*rankasc Disj + c*rankascJ for each Path in A
15: P2 = minL A}
16: Else {
17: Calculate L = w1*rankdesc Bw + w2*rankasc J + w3*rankasc Disj for each Path in P
18: P2 = minL P}
19: End If}
20: End If}
21: If treei = 3 then {
22: P = P \ {P1} ; P3 = minHC {minDisj P}
23: End If}
    
```

Figure 11. IMPR routes selection algorithm

4) Path Request Process

By executing the route selection algorithm, a node selects a path for its i^{th} routing tree and sends a PREQ message (Table X). Each intermediate node compares its chosen path for its i^{th} routing tree to the path carried by the PREQ message. If the next hop in the two paths is different, the node either modifies its entire path or updates the path in the PREQ message, as presented in the Flowchart in Fig. 12. Then, the intermediate node updates its routing table (Table XI) with both the direct route (toward the root) and the reverse route (toward the source) and forwards the PREQ message to the next hop.

TABLE X. PREQ MESSAGE

Src IP address	Dest IP address	Path	ID-Path	Level ^a
----------------	-----------------	------	---------	--------------------

^a. Level : the level of a node in the Real Time tree

TABLE XI. IMPR ROUTING TABLE

Dest IP address	Next Hop	ID-Path
-----------------	----------	---------

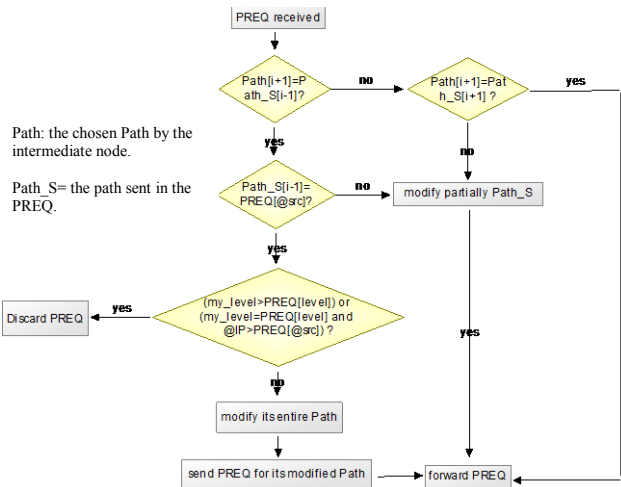


Figure 12. Flowchart of PREQ process

5) Path Replay Process

On receiving the PREQ message, the root updates its routing table and sends a PREP (Table XII) message to its child.

TABLE XII. PREP MESSAGE

Dest IP address	Path	ID-Path
-----------------	------	---------

Each intermediate node adds its address to the Path parameter of the PREP message and forwards it to the destination. Once the destination receives the PREP message, it updates its routing table and its chosen path for the routing tree if it is different from the Path parameter in the PREP message. Then, it removes it from its route cache to begin the selection of a route for the next tree.

V. HQMR USAGE SCENARIOS

In this section, we present two different usage scenarios of our HQMR protocol, describing how a path is selected to reach a destination within or outside the mesh infrastructure.

A. Intra-infrastructure Routing Usage Scenario

This scenario describes how to determine a QoS verified path between two nodes from different clusters for a VoIP application between two mesh clients of our architecture. To this end, the reactive routing bloc, named IMRR would be used and a RREQ message is generated for route discovery process. In Fig. 13, we illustrate the RREQ process through each intermediate node by comparing the offered QoS to the requested one ($B_{req}=56Kb/s$, $D_{req}=150ms$ and $J_{req}=20ms$).

The first RREQ received by D ($\langle 2, 155, 19 \rangle$) does not satisfy the requested delay parameter. Thus, this message is discarded and D waits for another RREQ messages. Since the second message received (RREQ2) verifies the different QoS parameters ($\langle 2, 145, 13 \rangle$), a RREP message is unicasted to the source node.

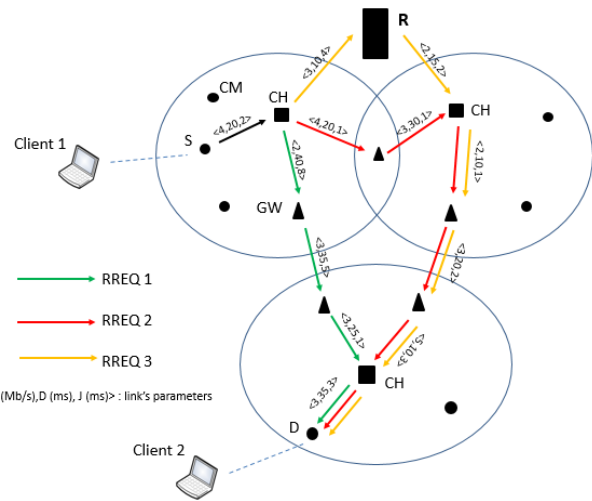


Figure 13. Intra-infrastructure usage scenario

Then, regarding the third RREQ message received, it would be discarded since a RREP message has been already sent back. By this way, the route discovered by RREQ2 would be used to forward the traffic of the VoIP application between the two mesh clients.

B. Inter-infrastructure Routing Usage scenario

For communications with the Internet network, the proactive routing protocol IMPR of HQMR protocol is used. In this scenario, we describe how to forward a VoD application traffic from a streaming video server in the Internet. To this end, three QoS based routing trees are constructed. Fig. 14 shows an example of clustered topology over which we have built the three QoS based routing trees.

For the first routing tree, by executing the route selection algorithm ($D_{max}=150$ ms, $J_{max}=20$ ms), we chose the paths with satisfying delay and Jitter parameters. For example, in the case of the node B, we have four paths towards the root satisfying the delay and jitter parameters: B-A-R: $\langle 4,30,11 \rangle$; B-C-R: $\langle 3,70,6 \rangle$; B-D-A-R: $\langle 3,95,16 \rangle$; B-E-C-R: $\langle 2,70,9 \rangle$. Then, the path with the highest Bandwidth is selected: B-A-R. This process is repeated at each node of the topology and a PREQ message is sent for route validation.

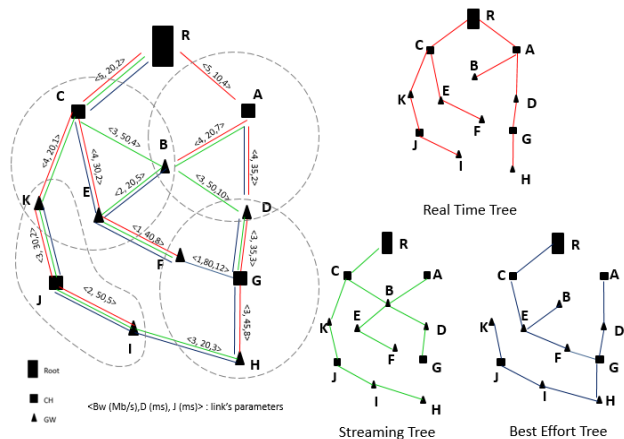


Figure 14. The QoS based routing Trees

Similarly, the path at each node for the second routing tree is selected according to the routes selection algorithm. For example, at the node E, we have two paths verifying the jitter parameter: E-B-C-R: $\langle 2, 90, 11 \rangle$; E-B-A-R: $\langle 2, 50, 16 \rangle$. The second path is the one selected by E since it offers better disjunction with the path selected for the first tree. However, the PREQ of this message would be changed at the node B. In fact, the nodes B and E have the same level parameter but node B has a greater IP address than E. Thus, the path in the PREQ sent by the node E would be changed (to E-B-C-R) to correspond to the route chosen by the node B: B-C-R.

By receiving the PREP message for the selected route, each node starts the selection of its third route that is the most disjoint route to the two first selected paths with a minimum of hops. For example, the node I according to these conditions chooses the path I-H-G-D-A-R. However, its PREQ at the node G would be changed (see the flowchart in Fig. 12). The selected path by the node I would be modified partially (I-H-G-F-E-C-R) to correspond to the one selected by the node G. Then, the set of paths selected at each node forms the routing tree for the third service class.

Regarding our usage scenario, and in order to forward the VoD traffic, the second routing tree would be used since this application is considered as an application of the Streaming service class.

VI. CONCLUSION

In this paper, we presented our proposed hybrid wireless mesh architecture composed of two different domains: an IEEE 802.16j-based infrastructure domain and several IEEE 802.11s based client domains. Then, we have specified the HQMR protocol for ensuring routing functionalities within the 802.16j infrastructure of our global architecture. It is a hybrid QoS based routing protocol formed by a reactive routing sub-protocol for a clustered infrastructure and a proactive multipath tree based routing sub-protocol for communications toward Internet network. Two usage scenarios are presented to show the importance of HQMR in order to provide real time and streaming applications with QoS guarantee in wireless mesh networks.

As a future work, we are working on the HQMR performance evaluation within our global wireless mesh architecture as well as comparison with other protocols.

ACKNOWLEDGMENT

This work has been funded by the Regional Council of Burgundy, France.

REFERENCES

- [1] I. F. Akyildiz, X. Wang, and W. Wang, "Wireless mesh networks: a survey", *Comput. Netw.*, march. 2005, vol. 47, no 4, pp. 445-487.
- [2] I. F. Akyildiz and X. Wang, "A survey on wireless mesh networks", *IEEE Commun. Mag.*, 2005, vol. 43, no 9, pp. S23-S30.
- [3] "IEEE Standard for Local and metropolitan area networks Part 16: Air Interface for Broadband Wireless Access Systems Amendment 1: Multihop Relay Specification", *IEEE Std 80216j-2009 Amend. IEEE Std 80216-2009*, 2009, pp. 1-290.
- [4] "IEEE Standard for Local and Metropolitan Area Networks Part 16: Air Interface for Fixed and Mobile Broadband Wireless Access

- Systems Amendment 2: Physical and Medium Access Control Layers for Combined Fixed and Mobile Operation in Licensed Bands and Corrigendum 1", *IEEE Std 80216e-2005 IEEE Std 80216-2004Cor 1-2005 Amend. Corrigendum IEEE Std 80216-2004*, 2006, pp. 01-822.
- [5] Q. Xue and A. Ganz, "QoS Routing for Mesh-Based Wireless LANs", *Int. J. Wirel. Inf. Netw.*, 2002, vol. 9, n° 3, pp. 179-190.
- [6] R. Draves, J. Padhye, and B. Zill, "Comparison of routing metrics for static multi-hop wireless networks", New York, NY, USA, 2004, pp. 133-144.
- [7] V. Kone, S. Das, B. Y. Zhao, and H. Zheng, "QUORUM: quality of service in wireless mesh networks", *Mob Netw Appl*, Dec. 2007, vol. 12, n° 5, pp. 358-369.
- [8] L. Liu, L. Zhu, L. Lin, and Q. Wu, "Improvement of AODV Routing Protocol with QoS Support in Wireless Mesh Networks", *Phys. Procedia*, 2012, vol. 25, pp. 1133-1140.
- [9] Y. Zhang, Y. Wei, M. Song, and J. Song, "R-AODV: Rate aware routing protocol for WiFi mesh networks", *IET International Conference on Wireless, Mobile and Multimedia Networks*, 2006, pp. 1-4.
- [10] X. Cheng, P. Mohapatra, S. Lee, and S. Banerjee, "MARIA: Interference-Aware Admission Control and QoS Routing in Wireless Mesh Networks", in *IEEE International Conference on Communications, ICC '08*, 2008, pp. 2865-2870.
- [11] C. R. Lin and M. Gerla, "Adaptive clustering for mobile wireless networks", *IEEE J. Sel. Areas Commun.*, 1997, vol. 15, n° 7, pp. 1265-1275.
- [12] P. Krishna, N. H. Vaidya, M. Chatterjee, and D. K. Pradhan, "A cluster-based approach for routing in dynamic networks", *SIGCOMM Comput Commun Rev*, April 1997, vol. 27, n° 2, pp. 49-64.
- [13] M. Chatterjee, S. K. Das, and D. Turgut, "WCA: A Weighted Clustering Algorithm for Mobile Ad Hoc Networks", *Clust. Comput.*, April 2002, vol. 5, n° 2, pp. 193-204.
- [14] Z. Haas, M. Pearlman, and P. Samar, "The Zone Routing Protocol (ZRP) for Ad Hoc Networks", <http://tools.ietf.org/html/draft-ietf-manet-zone-zrp-04> [retrieved: May,2014].
- [15] M. Singh, S. G. Lee, T. W. Kit, and L. J. Huy, "Cluster-based routing scheme for Wireless Mesh Networks", *13th International Conference on Advanced Communication Technology (ICACT)*, 2011, pp. 335-338.
- [16] D. Kaushal, A. G. Niteshkumar, K. B. Prasann, and V. Agarwal, "Hierarchical Cluster Based Routing for Wireless Mesh Networks Using Group Head", *International Conference on Computing Sciences (ICCS)*, 2012, pp. 163-167.
- [17] "IEEE Draft Standard for Information Technology-Telecommunications and information exchange between systems-Local and Metropolitan networks-Amendment 8: IEEE 802.11 Wireless Network Management", *IEEE P80211vD160*, 2010, pp. 1-428.
- [18] "IEEE Standard for Information Technology-Telecommunications and information exchange between systems-Local and metropolitan area networks-Specific requirements Part 11: Wireless LAN Medium Access Control (MAC) and Physical Layer (PHY) specifications Amendment 10: Mesh Networking", 2011, pp. 1-372.
- [19] "Ad hoc On-Demand Distance Vector Routing (AODV)". <http://www.ietf.org/rfc/rfc3561.txt> [retrieved: May,2014].
- [20] D. Harel and P. S. Thiagarajan, "Message Sequence Charts", in *UML for Real*, Ed. Springer US, 2003, pp. 77-105.